

RAW WATER INLET  
Ø0.75 I.D. HOSE

CUSTOMER FUEL CONNECTION  
1/8-27 NPT FEMALE

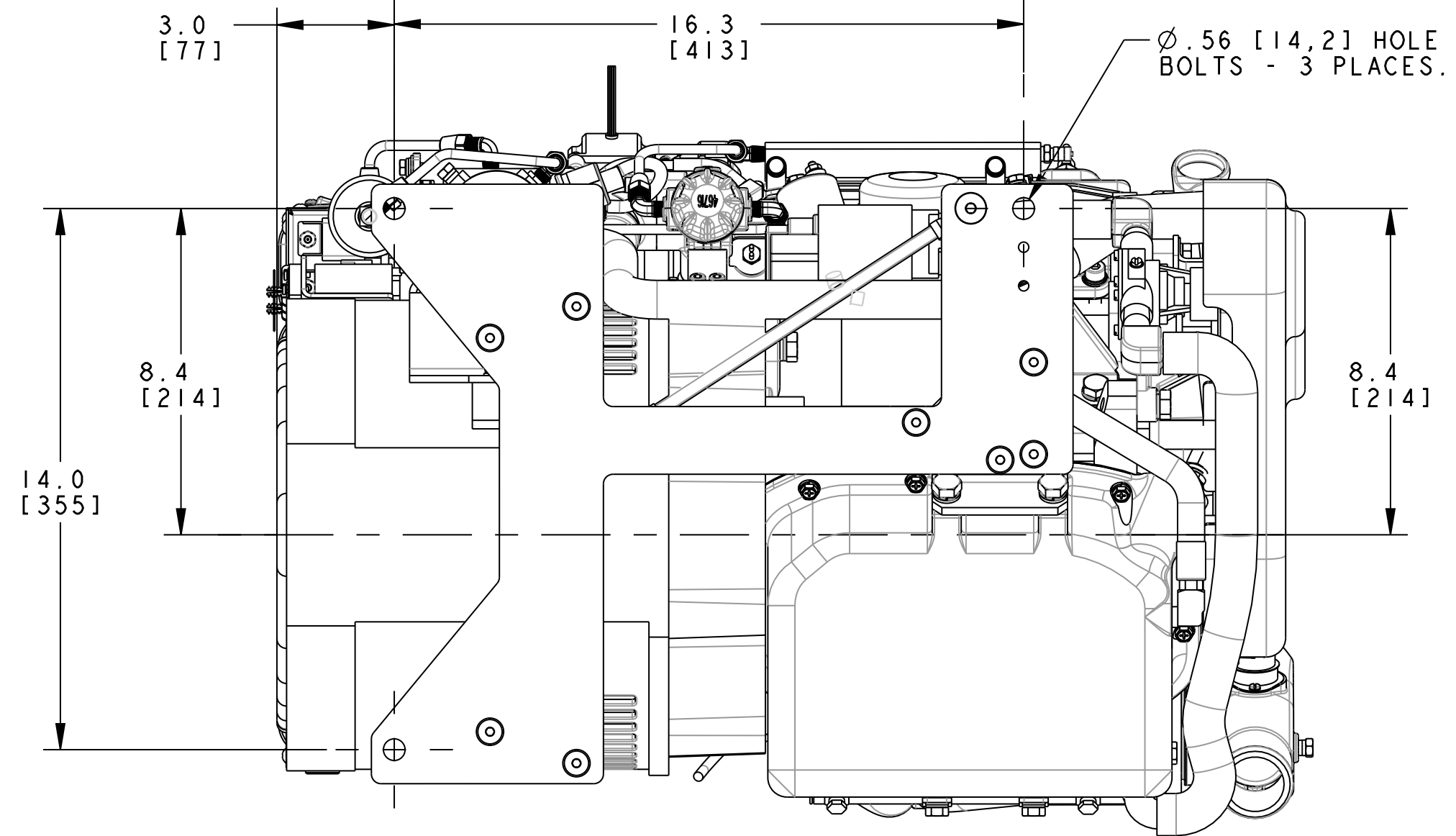
EXHAUST OUTLET  
Ø2.00 I.D. HOSE

A.C. CONNECTION WIRING  
OUTLET

RAW WATER DISCHARGE  
Ø.75 I.D. HOSE

BELT GUARD

Ø.56 [14.2] HOLE FOR 1/2" LAG  
BOLTS - 3 PLACES.



NUMBERS IN BRACKETS ARE IN MILLIMETERS

TOLERANCES (UNLESS OTHERWISE NOTED)				
INCHES	MILLIMETERS			TITLE
.XX : .02	X. ± 1.0	INSTALLATION DRAWING		
.XXX : .005	.X ± .5	6.5 MCG		
CAST : .03	.XX ± .13			
ANGLES : 5°				
FINISH : S				
DIMENSIONS		DRAWN BY	DATE	MATERIAL:
INCHES		GA	30/0c1/12	---
MILLIMETERS		APPROVED BY	DATE	---
(WHEN APPLICABLE)		SCALE 0.280	SIZE	DRAWING NUMBER
		SHT. 1 OF 2	D	55568
				REV. -